



# BRODD



■ Suitable for narrow sidewalks and tight spaces

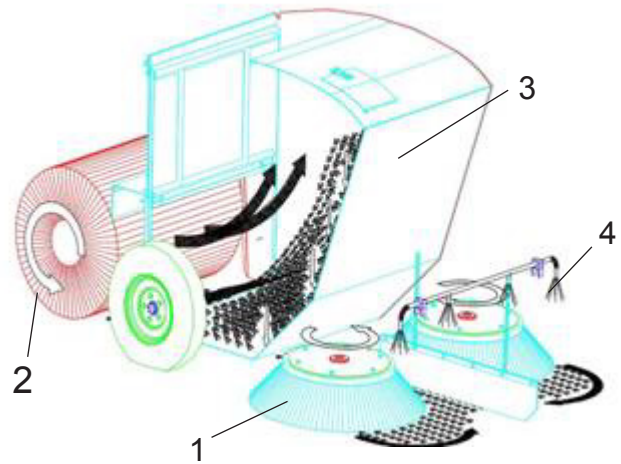


# BRODD TWIGGY

- The small compact trailer sweeper

## Sweeping principle

Both side brushes (1) sweep the dirt into the middle of the sweeper, the roller brush (2) throws the debris directly into the hopper (3). The sprinkler ramp (4) prevents dust.



## Easy and fast to couple up

Go backwards close to the sweeper and couple up the draw bar, connect the electric system for remote control and lighting, connect the gear box with the hydraulic pump to the power-take-off of the towing vehicle.

In a few minutes Twiggy is ready for sweeping!  
(fig. 1)

## 1,500 mm dumping height

Twiggy sweeper is designed to dump into a container or directly on the ground. Equipped with a large dirt hopper of 1.15 m<sup>3</sup>. This feature saves you several time-wasting and expensive daily transports to the discharge place.

All operations are operated from a remote control unit in the driver's cab. (fig. 2)

## Easy access for service

The electric, hydraulic controls, oil filter and water pump are protected from dust, dirt and moisture. They are placed at a convenient working height for service.



Easy and fast to couple up.



1,500 mm dumping height.



### Remote control

All sweeping operations are operated from the driver's cab.

### Side displacement of the draw bar

Twiggy is as standard equipped with a hydraulic left/right displacement of the draw bar. It is remote controlled with a joystick. The flexibility in curves and around e.g. poles gets even better and you can simply sweep "every corner" clean.

### Fully automatic floating broom suspension

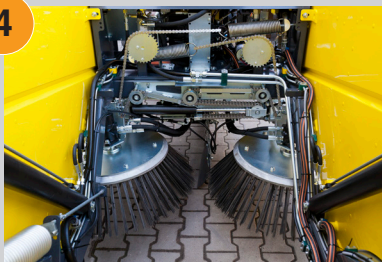
Due to the unique "BRODD float" system the brushes will always be automatically adjusted, no matter the grade of wear on the brushes and they always maintain the correct pressure to the surface. (fig. 4+5).

### Sprinkler system

The water sprinkler system helps to prevent the dust around the sweeper.



4



Fully automatic floating broom suspension.

5



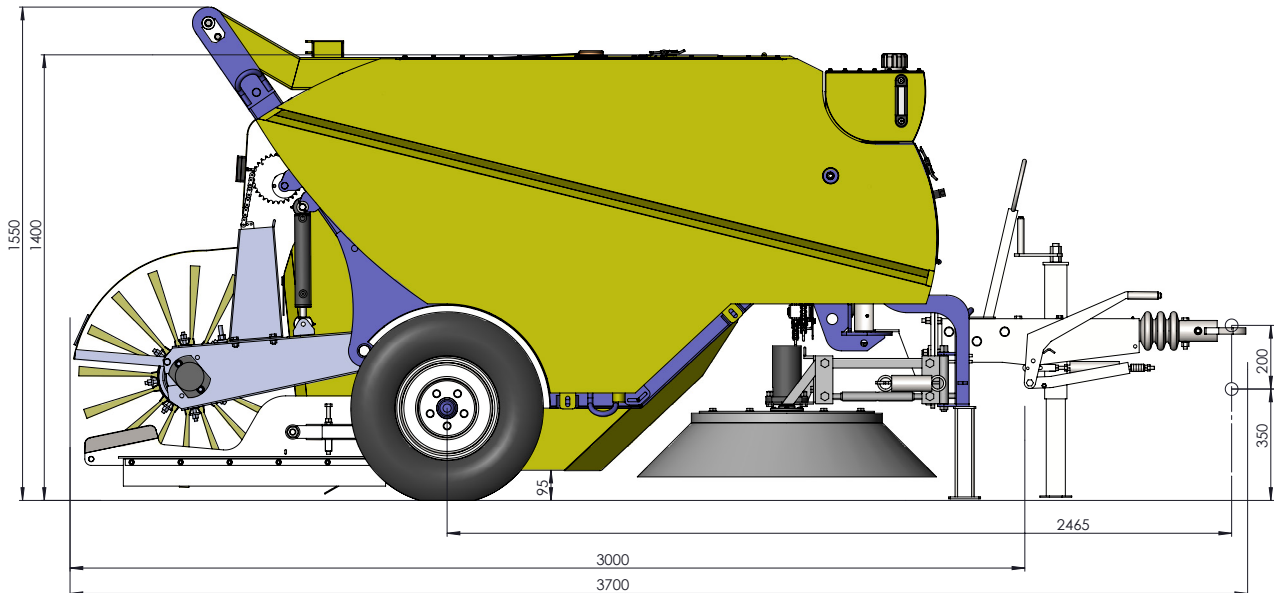
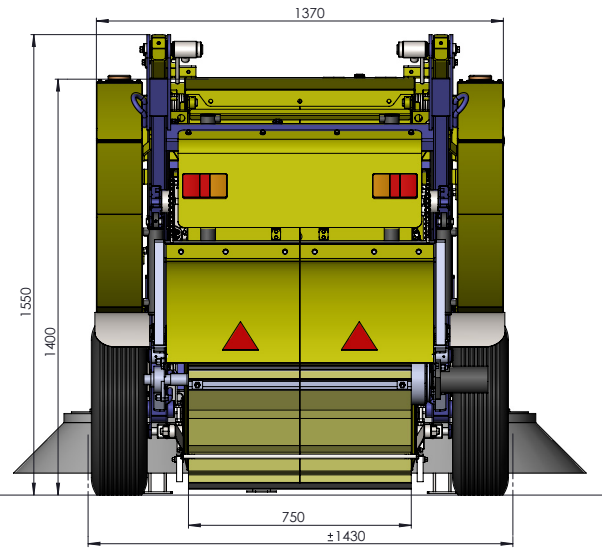
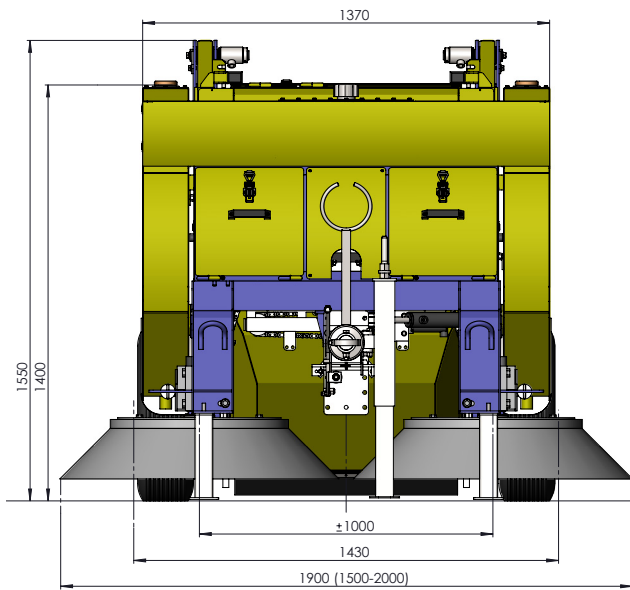
Fully automatic floating broom suspension.

6



### Manual refuse input

Bigger pieces of dirt can be put by hand into the dirt hopper, since the top is within comfortable reach.



Epoke A/S  
 Vejervej 50, Askov  
 6600 Vejen  
 www.epoke.dk



